

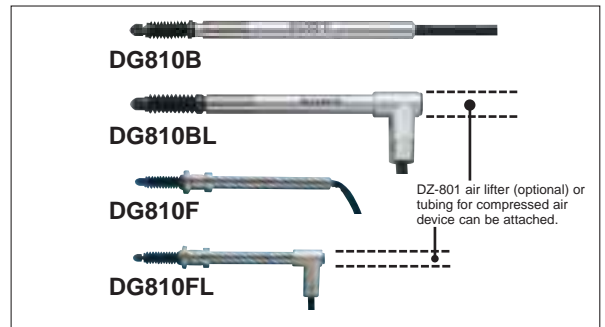
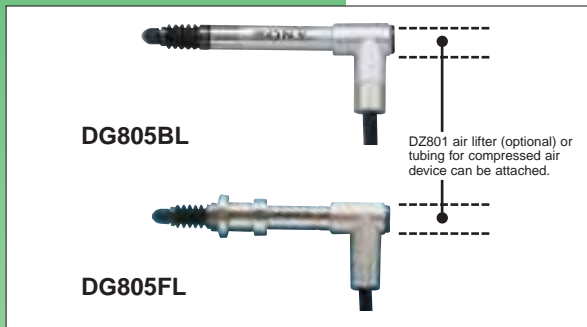
Digital Gauge

DG805 BL/FL

DG810 B/BL/F/FL

High accuracy, compact and slim gauges.
Suitable for installation on machines

- Magnetic principle
- Excellent resistance to workshop conditions. Resistant to dust and vibrations.
- Accuracy: $\pm 1 \mu\text{m}$
- Resolution: $0.5 \mu\text{m}$
- Measuring range: 5.2 mm / 0.20" and 10 mm / 0.39"
- Compact and slim: 8 mm / 0.31" (outer diameter)
74.5 mm / 2.93" (overall length) (DG805BL)
- Low measuring force
- Spindle can be moved vertically with an air pressure device (DG805BL/810BL).
- Dustproof bellows (standard).
- Easy installation. Flange type gauges also available.



Specifications

Model	DG805BL/DG805FL	DG810B/DG810F	DG810BL/DG810FL
Measuring range	5.2 mm / 0.20"	10 mm / 0.39"	
Resolution	0.5 μm		
Accuracy (at 20 °C / 68 °F)	$\pm 1 \mu\text{m}$		
Measuring force	Upward	0.35 \pm 0.25 N	0.4 \pm 0.3 N
	Lateral	0.4 \pm 0.25 N	0.5 \pm 0.3 N
	Downward	0.45 \pm 0.25 N	0.6 \pm 0.3 N
Mounting stem diameter	$\varnothing 8^{+0.009} \text{ mm} / \varnothing 0.31^{+0.0004} \text{''}$		
Operating temperature	0 °C to 50 °C / 32 °F to 122 °F		
Storage temperature	-20 °C to 60 °C / 14 °F to 140 °F		
Cable length	5 m / 16.4'		
Feeler	Feeler tipped with 3 mm dia. carbide ball with M2.5 x 0.4 screw on fitting end (DZ123)		
Mass (excl. cable unit)	20 g / 0.7 oz		40 g / 1.4 oz
Option	Air lifter DZ801 mountable	None	Air lifter DZ801 mountable

Dimensions

