

Interpolator

MJ830 /831

Interpolator for Mitsubishi MR-J2 Super Series amplifier

- Connectable to any general analog-output encoder.
Input impedance: 120 Ω 1 Vp-p voltage differential input
- Max. response frequency 140 kHz for any number of divisions selected
- Switch-selectable number of divisions: 40,80,100,120,160,200,240,400, 480,500,800,1000,1600,2000,3200,4000
- Compensation: DC offset, gain and phase
- Power supply: 5 V DC (4.5 to 5.5 V) for MJ830;12V to 24V DC (11V to 32V) for MJ831
- Compatible with Sony's linear scales SH12 and SL700 series with PL101

Specifications

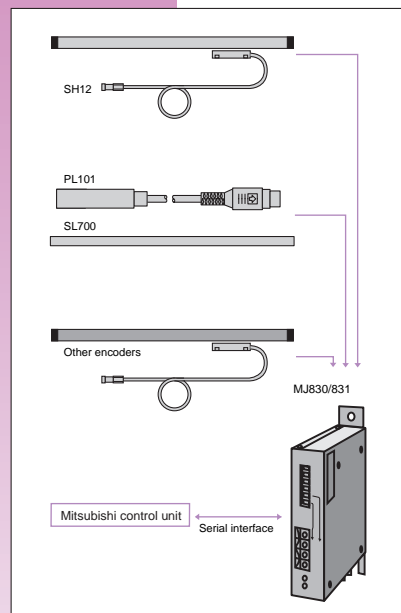
Model	MJ830	MJ831
Power		
Power supply voltage	DC5 V (DC4.5 to 5.5 V)	DC12 to 24 V (DC11 to 32 V)
Power consumption	3 W	
Input power supply rise time	100 ms	
Surge current (10ms)	4A or less (with 5 V)	3A or less (with 12 V)
Power supply reverse connection prevention	Fuse	
Communication		
I/F input/ output circuit	Voltage-differential line driver/ receiver complying with EIA-422 (SN75C1167 or equivalent)	
Communication protocol	Dedicated Mitsubishi Electric Corp. serial interface protocol	
Interpolator		
Encoder input signal	1 Vp-p (Max.1.2 Vp-p) impedance 120 Ω TYP	
Selectable division settings	4000,3200,2000,1600,1000,800,500,480,400,240,200,160,120,100,64,40	
Maximum response frequency for encoder input	140 kHz*1	
Alarms	*1* is sent to a designated flag at time of speed alarm and level warning*2 All LEDs flash at the time of compensated data backup error*3	
Operating temperature and humidity range	0 to 55 °C (no condensation)	
Storage temperature and humidity range	-20 to 65 °C (20 to 90%RH)	
Mass	380 g	
Accessories	Power supply plug...1 Connector cap...1 Supplement...1 Binding band...1 Ferrite core...1 Mounting screws (4 x 10)...2	

*1: 140 kHz applies when sine and cosine signals within a designated range are applied to MJ830/831. Max. response frequency may be lower than 140kHz with change in input signal level or off-set value.

*2: Speed alarm is triggered when max. response speed is exceeded or at the time of erroneous counting due to noise. Level warning is triggered when the sine and cosine signal input level is lower than 0.3 to 0.5Vp-p.

*3: All LEDs light at the next power-on in case, at the time of data compensation, the compensated data was not correctly backed up.

System configuration



Dimensions

